

LD26 & LD26A IP66

High Power Linear Reflector LED System



Data sheet - Page 1



Design: Light Design International - Project: Four Seasons Hotel, Amman
Product: LD26

LD26 is now offered in a re-designed IP66 rated housing to reduce the cost per metre. This makes it a far more cost effective solution for lighting walls in showers where IP54 is not a high enough rating, and IP68 is not cost effective. It is a reflector based linear system which has been designed to produce a continuous, even wash with the latest in LED technology. By mounting the LEDs within a linear reflector, there is no uneven spotting from lenses or loss of output from just using the LED itself. It comes in two versions, LD26 with a symmetric 82° reflector and the LD26A with an asymmetric reflector tilted at 8°.

Key Features

- Superb continuous lighting capabilities
- IP66 rated for bathrooms and showers
- Reflectors focus the light to where it is needed
- Custom made lengths as standard
- High power for its compact size
- Available with Switched, 0-10V, DMX or Dali drivers

Specification

Applications				
Beam Angles	LD26 IP66 - 82° & LD26A IP66 -82° with 8° tilt			
LED type	Cree XPG2			
Colour temperature	2700K** / 3000K		5000K	
Drive Current (mA)	350	500	350	500
LED power* (W)	1.2W	1.7W	1.2W	1.7W
CRI (typical)	93	93	75	75
Forward voltage (V) ₁₀₀	3.0V	3.2V	3.0V	3.2V
LED spacing	Delivered lm/m** (L ₁₀₀)			
50mm	2027	2767	2463	3361
75mm	1318	1798	1601	2185
100mm	1014	1383	1232	1681
Lumens per circuit watt***	84	81	103	99
LED lifetime (to 70% lumen maintenance)	50,000hrs at a max ambient temperature of 35°C			
Materials	Frosted polycarbonate end caps, polycarbonate clear tube, with silver anodised aluminium extrusion enclosed.			
Wiring	Comes pre-wired with 2m lead, can be specified with up to 10m at extra cost			
IP rating	IP66			

*LED wattage includes losses associated with using an 85% efficient driver

**2700K lumen output is 12% lower than the 3000K figure listed

4000K lumen output is 14% higher than the 4000K figure listed (80 CRI)

***Data shown allows for 50mm spacing



LD26 & LD26A IP66

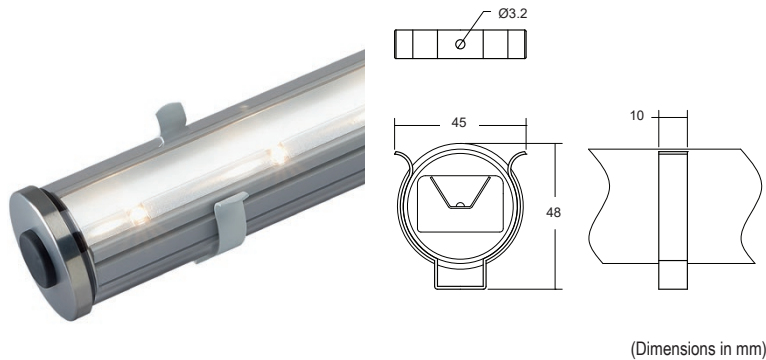
High Power Linear Reflector LED System



Data sheet - Page 2

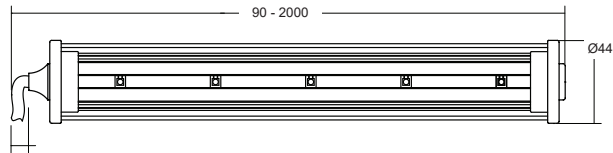
Fixing Options and Dimensions

/SC
Spring Clip Fixing



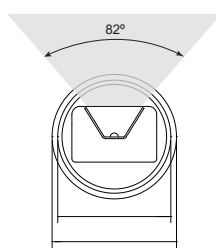
(Dimensions in mm)

Custom made lengths

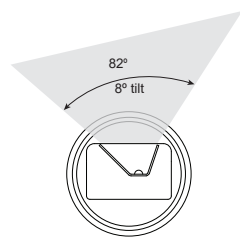


Reflector options

LD26
Symmetric



LD26A
Asymmetric



Photometrics

Photometric files are included in the design pack which can be downloaded from the LD26/LD26A IP66 product page on the website.

Order Codes and Options

Product code	LED colour	LED spacing	Product colour	Fixing option	Length
LD26(A) - 350 IP66 - 500 IP66	<input type="text"/>	<input type="text"/>	<input type="text"/>	<input type="text"/>	<input type="text"/>

Example: LD26-500 IP66 / LW30 / 50 / Silver Anodised / SC / 1200mm

Product codes with output options	
1.2W LED at 350mA	LD26(A)-350 IP66
1.7W LED at 500mA	LD26(A)-500 IP66
LED colour options	Suffix
Extra Warm White (2700K)	/LW27
Warm White (3000K)	/LW30
White (4000K) - on request	/LW40
Cool White (5000K)	/LW50
LED spacing	
50mm	/50
75mm	/75
100mm	/100
Product colour	
Silver anodised (end caps are frosted polycarbonate)	
Fixing options	
Spring clips	/SC
Use with 350mA and 500mA constant current LED drivers	
We have a wide range of dimmable LED drivers, 0-10V, DMX, DALI and Mains dimmable. Please see the downloads section on our website.	

